

Gate-Units

GU-IGBT-HPHV

Universal Gate-Unit for High Voltage IGBT

General Applications:

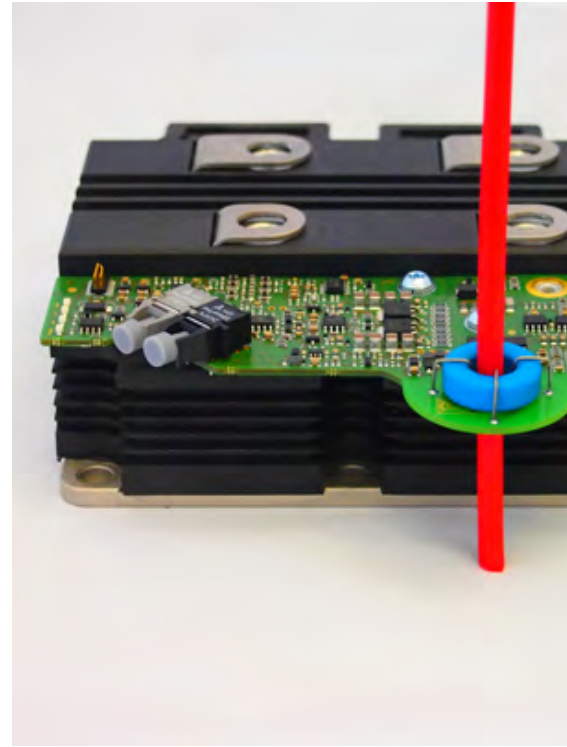
- Industrial drives
- Parallel and/or serial connected applications
- Medium-voltage converters
- Research
- Medical applications
- Flexible AC transmission systems

Features :

- Power concept allows up to 12 gate units with only one power supply (CSINT-100W)
- Integrated current loop power supply for high voltage insulation up to 40kV
- Fits directly on standard High voltage HiPak/IH11(12) Modules
- Adaptive design for a variety of IGBT modules
- High current gate drive up to 50A peak
- Up to 15kHz operating frequency
- Saturation detection and automatic turn-off or feedback depends on version
- Overcurrent/Overvoltage detection
- Gate voltage supervision
- Power supply supervision
- Status feedback via fibre optic link to overall controller
- Active clamping

Options:

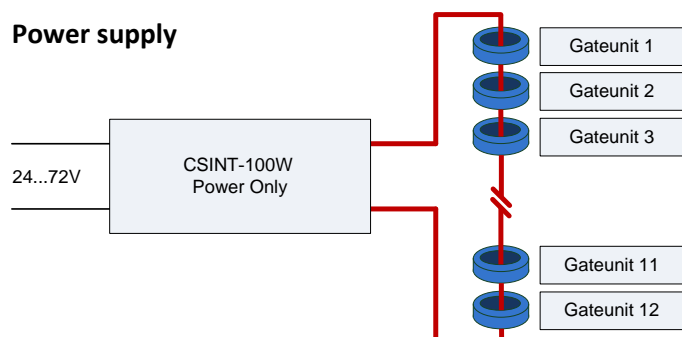
- Reprogrammable via fibre optic link
- Independent dV/dt and dI/dt control for turn-on and turn-off
- Gate drive options: Passive resistor, gate voltage ramp, gate current ramp, dV/dt & dI/dt control



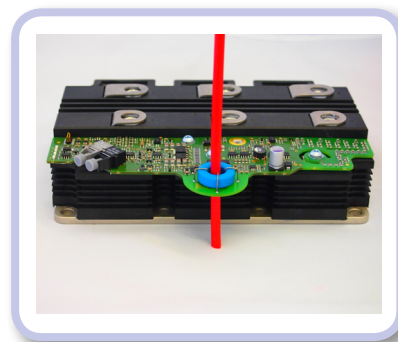
Technical specification of GU-IGBT-HPHV

Parameter	Symbol	Remarks	Min.	Typ.	Max.	Unit
Operating voltage IGBT	U		-	-	6.5	kVDC
Voltage above earth potential	U		-	-	40	kV
Frequency (depends on IGBT)	f		0	-	15	kHz
Duty cycle	f		0	-	100	%
Gate current	I		-	-	±50	A
Gate voltage ON	U		-	-	18	V
Gate voltage OFF	U		-	-	-12	V
Turn ON delay	t		-	-	400	ns
Turn OFF delay	t		-	-	400	ns
Inter gate unit jitter	t		-	-	30	ns
Operating temperature	T		-40	-	85	°C
Power consumption idle	P		-	-	1	W

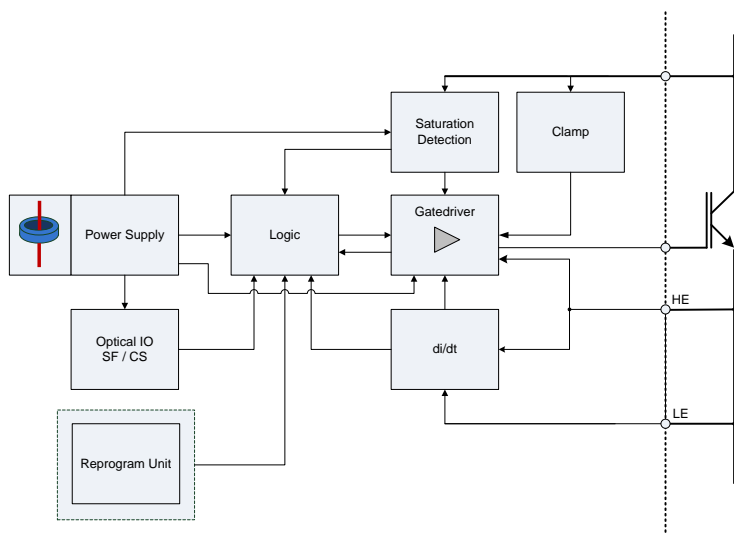
Power supply



Details



Gate Drive Unit



Power Supply / Trigger Unit: CS-INT100W

Order code	Description	Version
AC-10627-1xx	GU-IGBT-HPHV (IGBT Type)	Gate unit for (IGBT Type)