

## Data Sheet

### CS-60W4A-01

Part No.: AC-10140-001  
ABB Part No.: 5SPP 25X4000  
PCB without housing



### CS-60W4A-01

Part No.: AA-10289-001  
ABB Part No.: 5SPP 25Z4000  
Current source in metal housing



#### Features

- For Pulsed Switch Components
- For Closed Loop Circuits
- Compact Design
- Immune to external EM Fields (AA-10289-001)
- Mounting in Stack possible (AC-10140-001)

Rev.	Remarks / changes	created		checked		released	
01	Initial, created from 5SYA 35PP-01	FF	22.10.12	AST	22.10.12	FF	23.10.12



## Table of Contents

1.	Introduction .....	3
1.1.	Description .....	3
1.2.	Electrical interfaces .....	3
1.3.	Environmental conditions .....	3
2.	Connectors and indicators .....	3
2.1.	Connectors .....	3
2.2.	Terminal Block .....	3
2.3.	Indicators.....	3
3.	Function .....	4
3.1.	Instructions for use .....	4
3.2.	Block diagram .....	4
4.	Mechanical.....	5
4.1.	Parameters AA-10289-001 (Current source with metal housing).....	5
4.2.	Mechanical Drawing AA-10289-001 (Current source with metal housing) .....	5
4.3.	Parameters AC-10140-001 (Current source PCB without housing) .....	6
4.4.	Mechanical Drawing AC-10140-001 (Current source PCB without housing).....	6
4.5.	Labels.....	7
4.5.1.	Front side.....	7
4.5.2.	Left side .....	7
4.5.3.	Bottom side .....	7
4.5.4.	Top side.....	7
5.	Order code .....	7

## 1. Introduction

### 1.1. Description

The current source is designed to supply power to semiconductor devices with integrated driver units. To avoid individual isolation transformers and rectifiers for every switching level in pulsed power stack assemblies, the Power Source can be use with a closed loop HV cable to realize isolation voltages of up to 30 kV<sub>DC</sub>

### 1.2. Electrical interfaces

Parameter	Symbol	Condition	Min	Typ	Max	Unit
Power supply	V <sub>Sup</sub>	DC	21.6	24	26.4	VAC
Power consumption	P	Depends on repetition rate of powered semiconductor devices		80		W

### 1.3. Environmental conditions

Parameter	Symbol	Condition	Min	Typ	Max	Unit
Ambient temperature	T <sub>amb</sub>	-	-25	-	+50	°C
Storage temperature	T <sub>store</sub>	-	-40	-	+50	°C
Humidity	Hum	Non condensing	-	-	95	% RH
Operating altitude	Alt	-			3000	m

## 2. Connectors and indicators

### 2.1. Connectors

Parameter	Symbol	Description
Power	24VDC	+, -, Earth

### 2.2. Terminal Block

Parameter	Symbol	Description
Electrical output	1,2	Driven from H-Bridge

### 2.3. Indicators

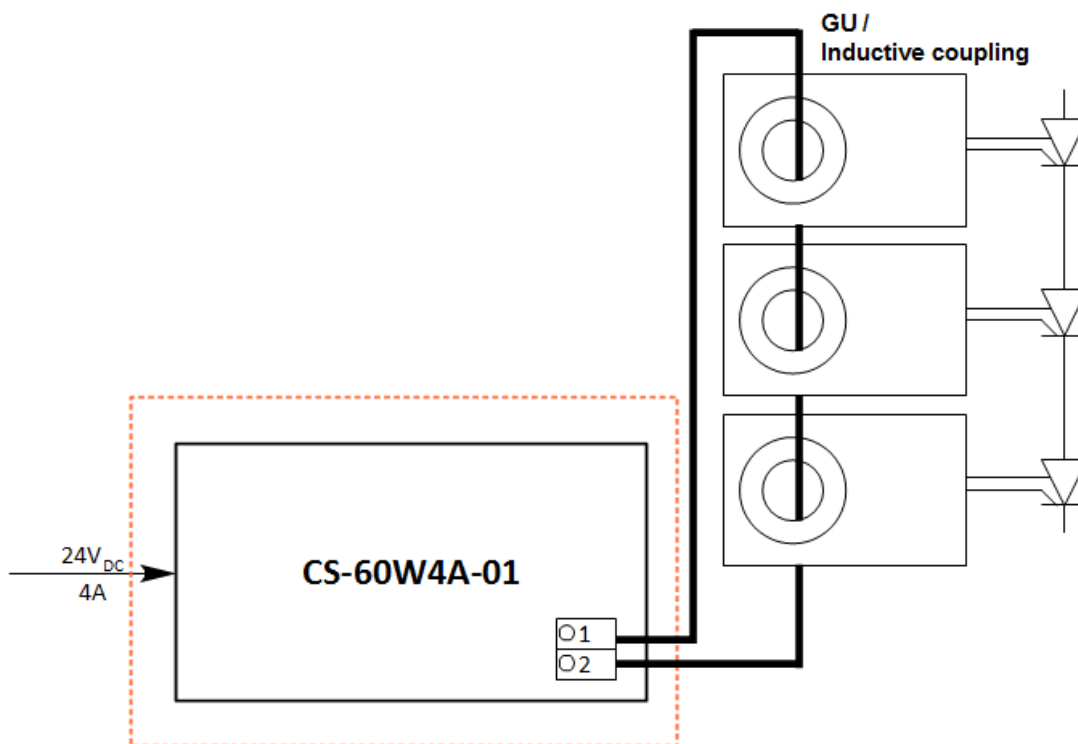
Parameter	Symbol	Description
LED (green)	Power	Lit when power supply is O.K

## 3. Function

### 3.1. Instructions for use

- Make sure that the device works correctly before using in critical applications.
- Check type and number of external loads with factory before using
- Check cable length and inductance with factory before using
- Make sure that all the external loads work correctly before using in a critical application

### 3.2. Block diagram



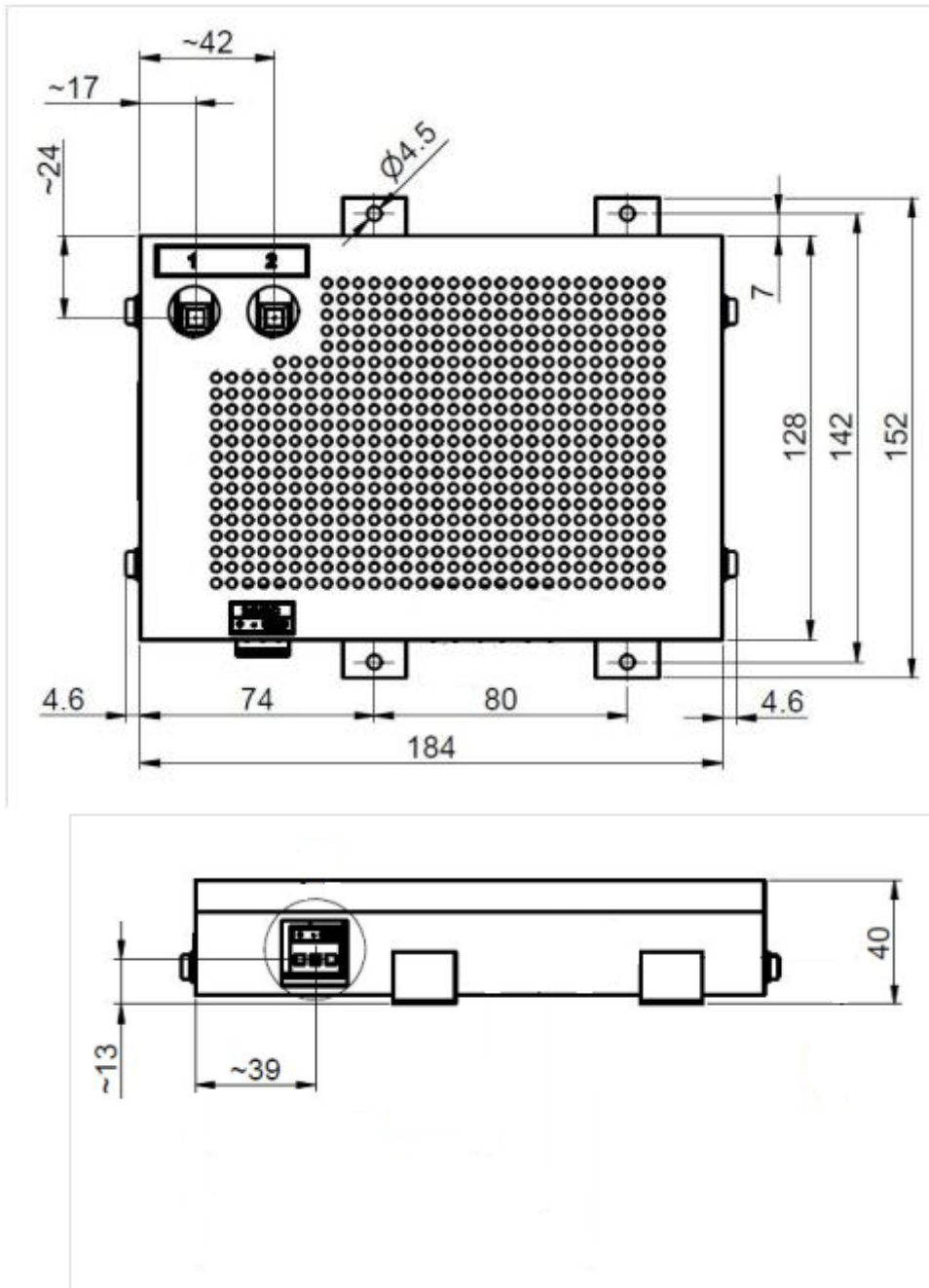
Gate units, inductive couplings and HV cable do not belong to scope of supply. To be ordered separately.

## 4. Mechanical

### 4.1. Parameters AA-10289-001 (Current source with metal housing)

Parameter	Symbol	Condition	Min	Typ	Max	Unit
Weight	m	-		1.3		kg
Dimensions	WxDxH	-		(184 x 152 x 40)		mm

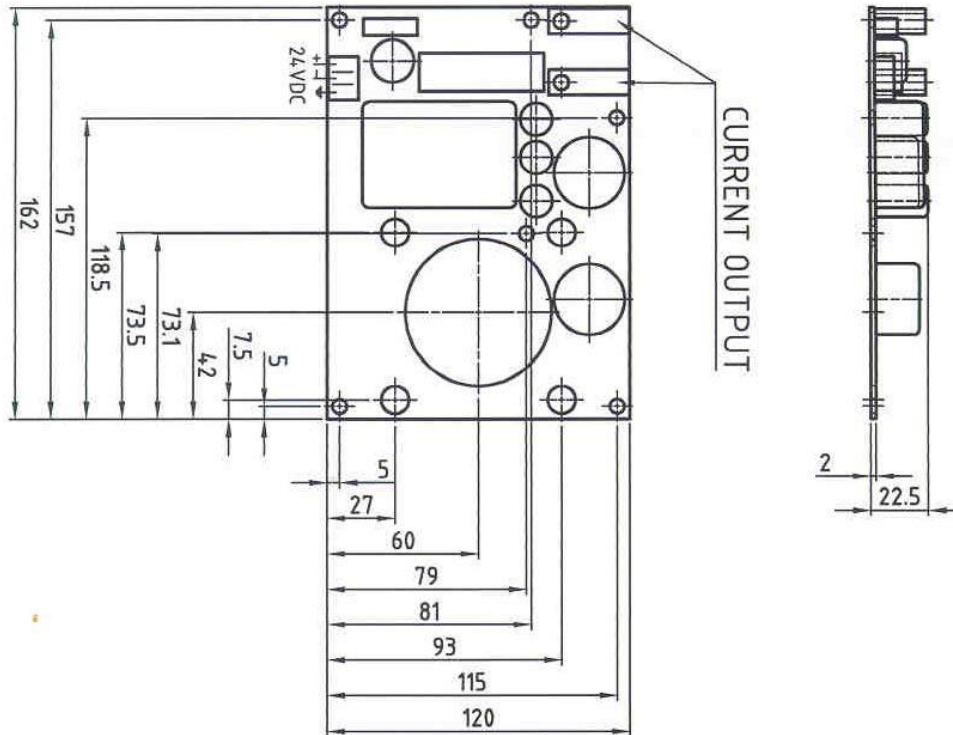
### 4.2. Mechanical Drawing AA-10289-001 (Current source with metal housing)



## 4.3. Parameters AC-10140-001 (Current source PCB without housing)

Parameter	Symbol	Condition	Min	Typ	Max	Unit
Weight	m	-		0.8		kg
Dimensions	WxDxH	-		(162 x 120 x 22.5)		mm

## 4.4. Mechanical Drawing AC-10140-001 (Current source PCB without housing)





## 4.5. Labels

### 4.5.1. Front side

- Nothing

### 4.5.2. Left side

- Type label with serial number

### 4.5.3. Bottom side

- Nothing

### 4.5.4. Top side

- Terminal (1, 2)
- Power

## 5. Order code

AA-10289-001

AC-10140-001

CS-60W4A-01 Current source with metal housing

CS-60W4A-01 Current source PCB without housing

Astrol Electronic AG  
Gewerbehäus Casora  
5452 Oberrohrdorf  
Switzerland

Phone: +41 (0) 56 485 60 20

Fax: +41 (0) 56 496 62 51

e-mail: [info@astrol.ch](mailto:info@astrol.ch)

web: [www.astrol.ch](http://www.astrol.ch)